

**Taroko Gorge, bucket shape**

Inspired by the breathtaking Taroko Gorge, the pattern reflects its giant marble boulders, bring ardor and grace. Each pattern is handmade with indigo dye, making it organic and unique.

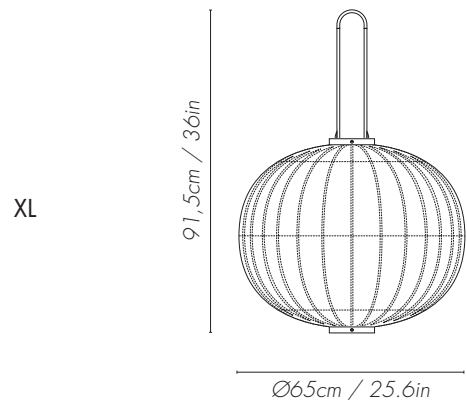
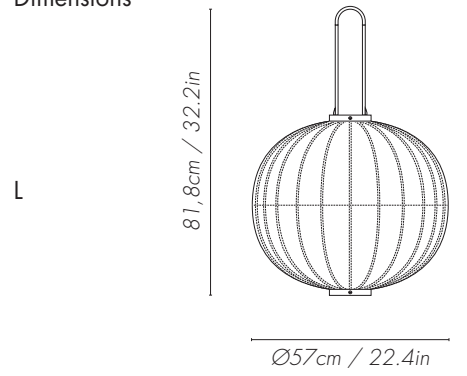
**Product specifications**

The lanterns are handcrafted and may slightly vary in shape, hue and character.

Five weeks and 190 processes | 5 artisans | 95% natural materials

Reference	PPO1M
Materials	Walnut, Plant-dyed cotton, Brass-finish metal, Bamboo, Copper
Certification	CE-Certified
Cord length	200cm/78.7in
Lighting source	Socket: E-27 (E26 for US) Max wattage: 40W

**Dimensions**



**Care and cleaning**

To clean the lanterns, gently dust top to bottom with a soft duster. Avoid chemical cleaners.