



Sun Moon Lake, bucket shape

Inspired by the fascinating Sun Moon Lake, this pattern reflects the lake's ripples, bringing serenity and calm. Each pattern is handmade with indigo dye, making it organic and unique.

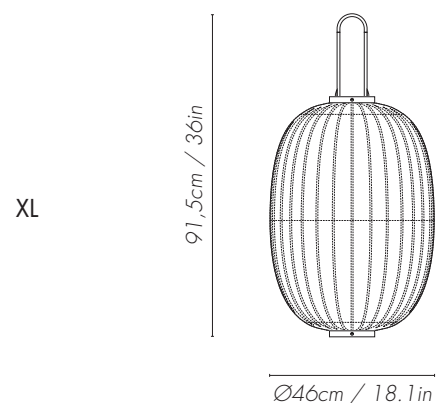
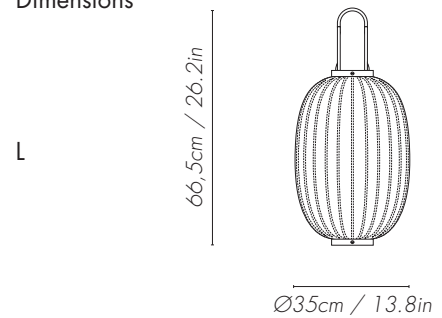
Product specifications

The lanterns are handcrafted and may slightly vary in shape, hue and character.

Five weeks and 190 processes | 5 artisans | 95% natural materials

Reference	PPO2O
Materials	Walnut, Bamboo, Copper, Plant-dyed cotton, Brass-finish metal
Certification	CE-Certified
Cord length	200cm/78.7in
Lighting source	Socket: E-27 (E26 for US) Max wattage: 40W

Dimensions



Care and cleaning

To clean the lanterns, gently dust top to bottom with a soft duster. Avoid chemical cleaners.